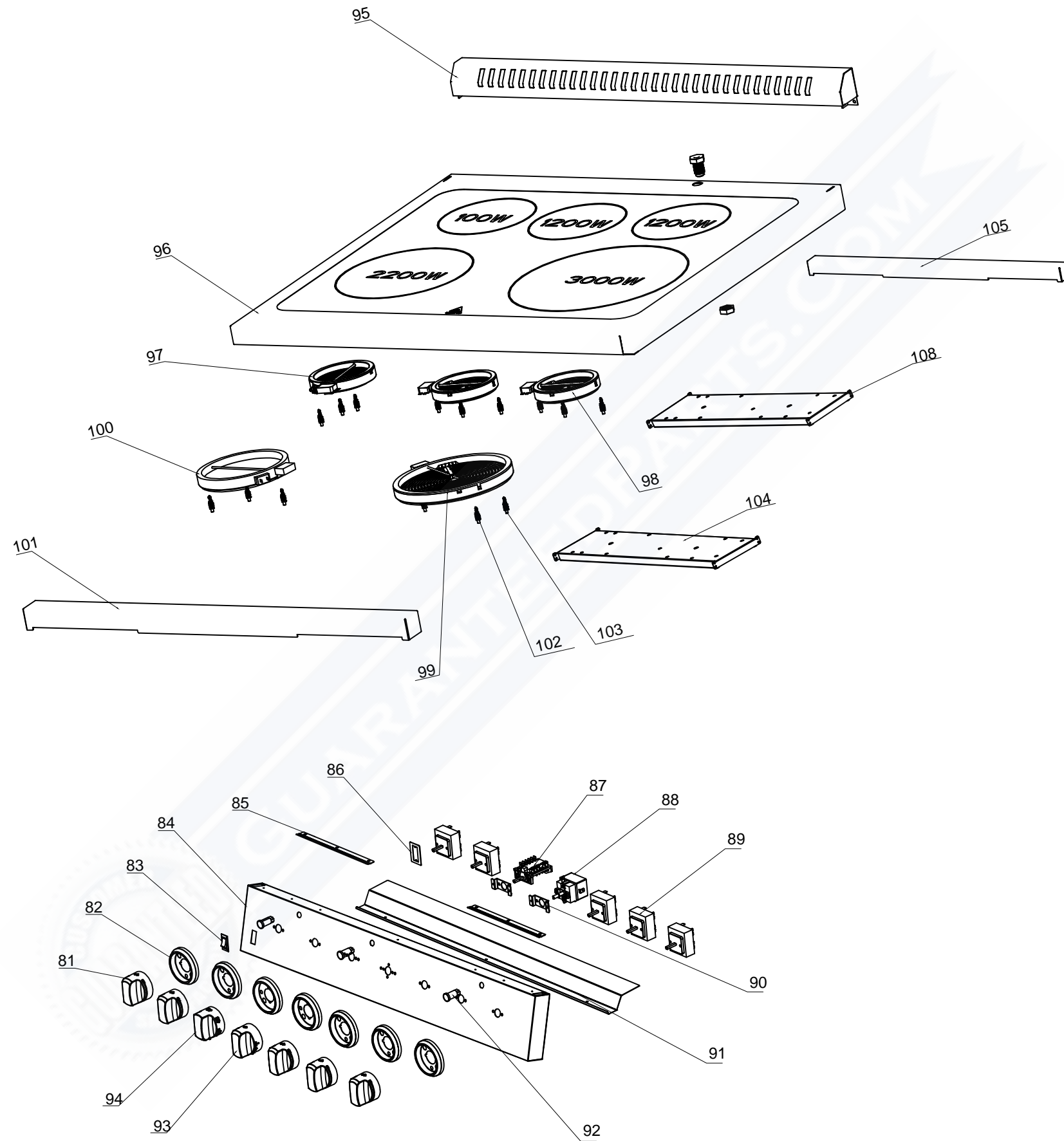
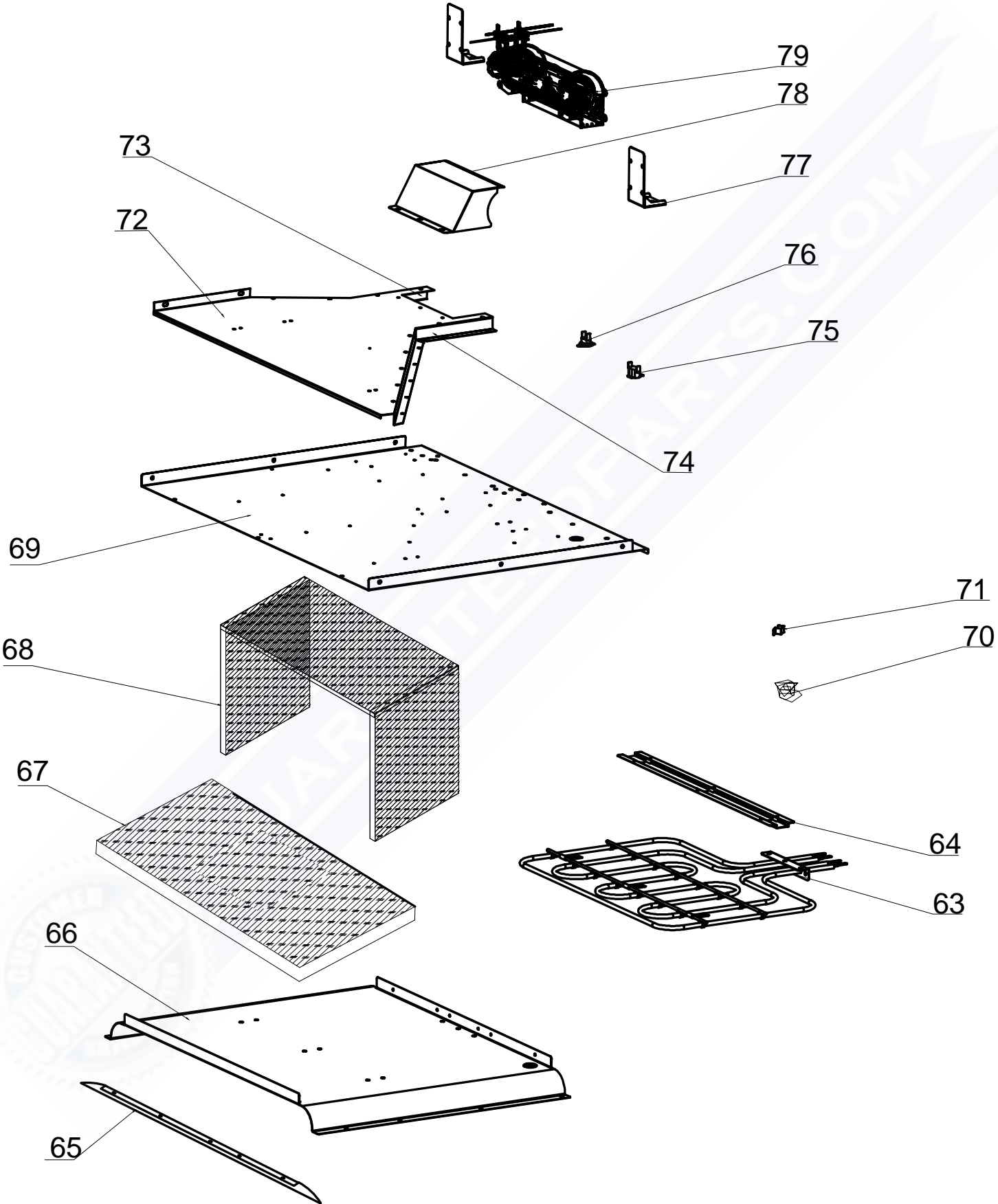


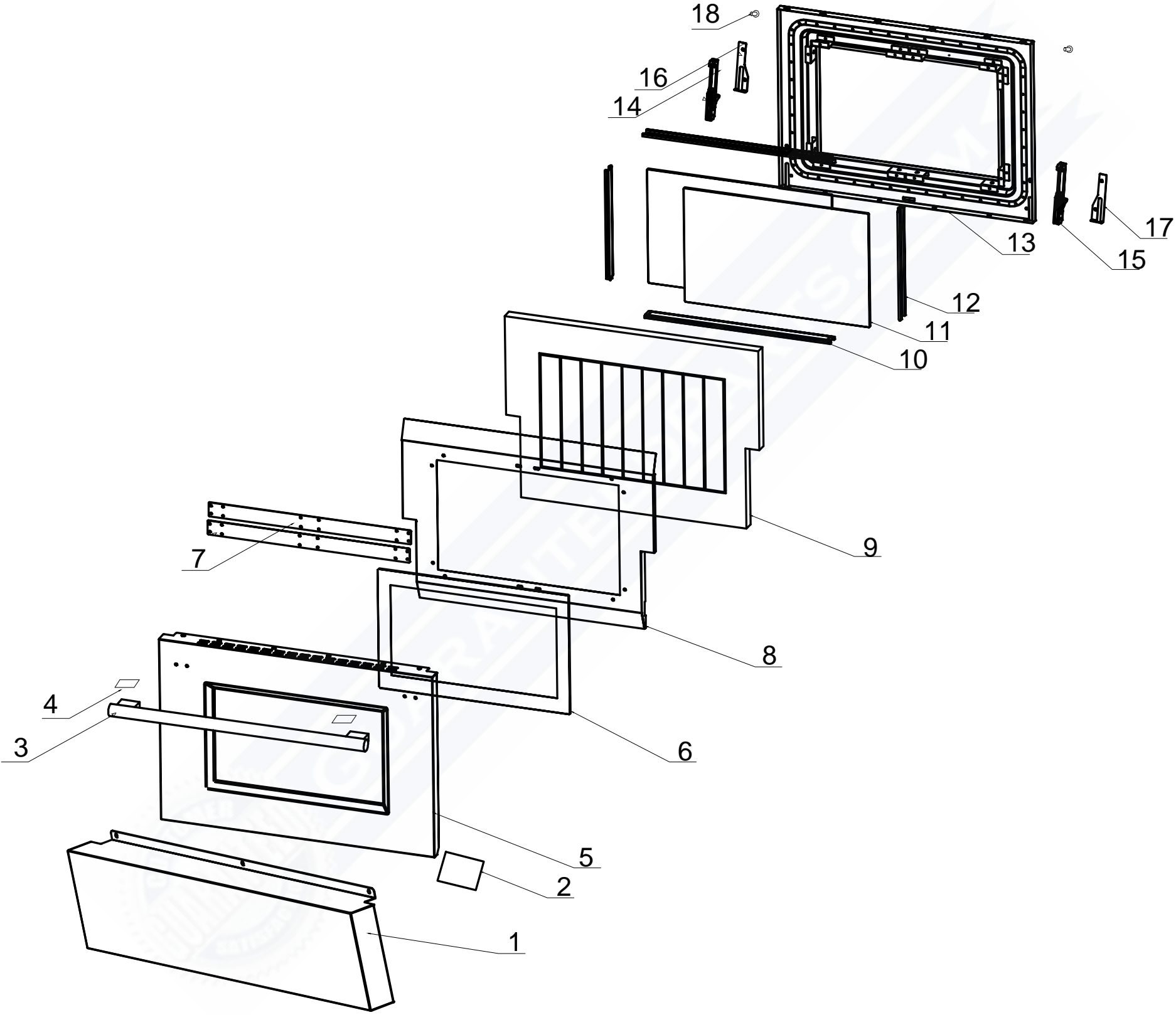
cooktop



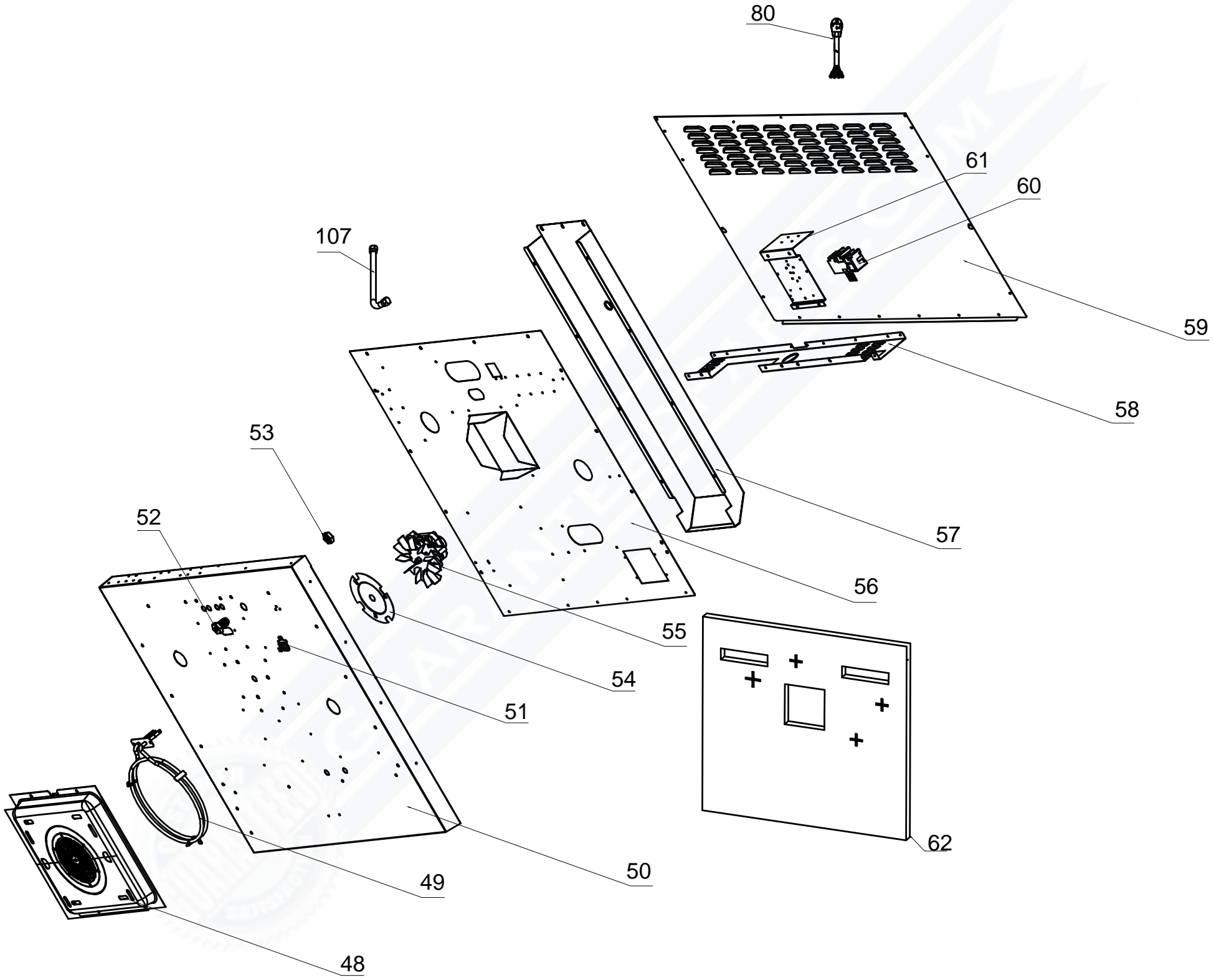
cavity top



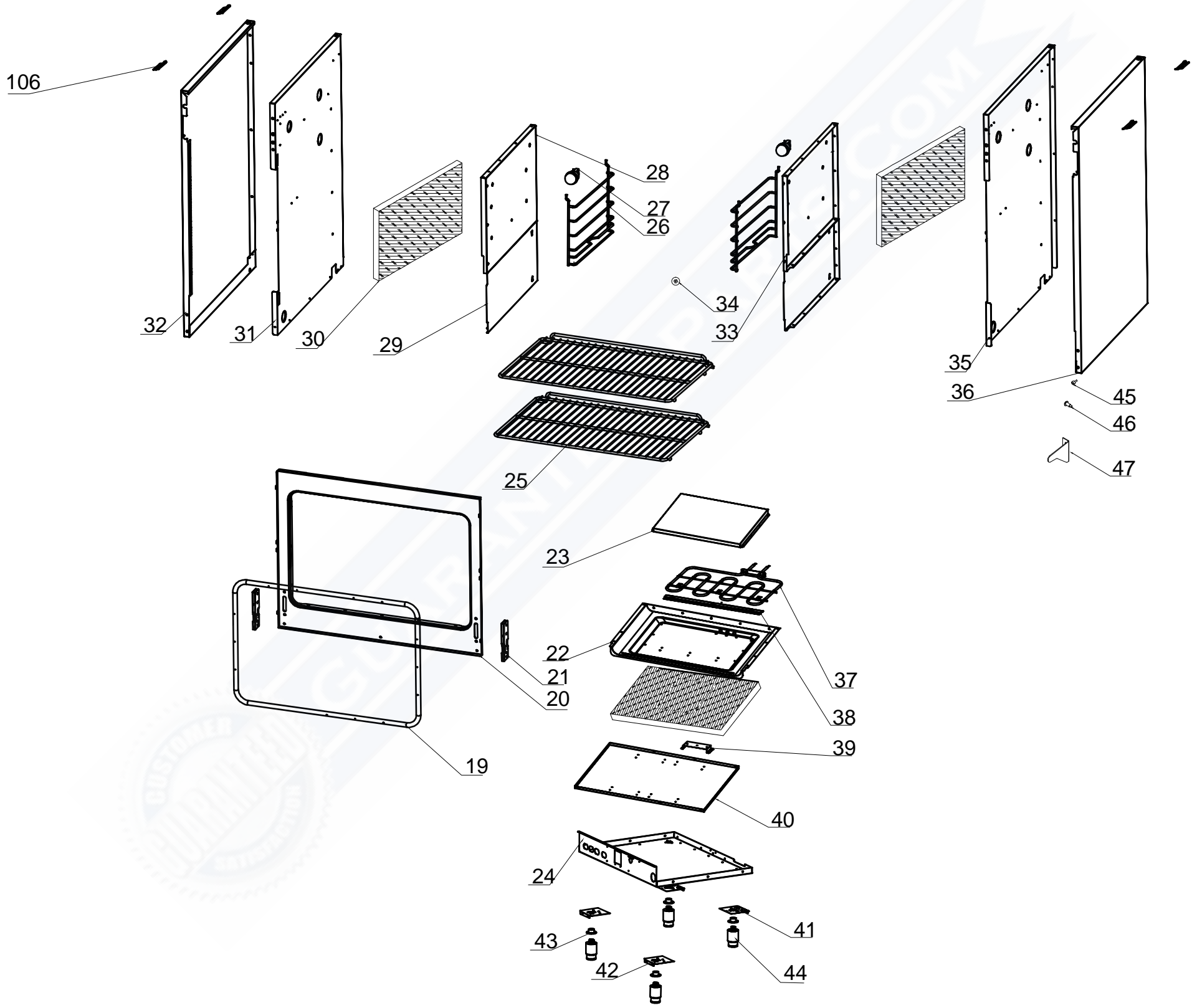
door



cavity back



oven cavity



FFSEL6083-36

No.	Product Name	Part Number	Qty.
1	Drawer panel G36X03	G36X03-120102	1
2	metal logo FFSGS6244-36	G36R03-020010	1
3	Handle G36R04	G36R04-101900	1
4	handle rubber mat G36R03	G36R03-100700	2
5	door outside cover component G30R03	0307003000002	1
6	door outer glass G36R03	G36R03-101100	1
7	door outer glass black pressing plate G36R03	G36R03-101400-02	2
8	door insulation plate G36X03	G36X03-101401	1
9	glass wool for door G36X03	G36X03-103500	1
10	inner door glass top/down stip G36X03	G36X03-101500	2
11	inner door glass G36R03	G36R03-100500	2
12	inner door glass R/L strip G36X03	G36X03-101601	2
13	Door frame G36R03	G36R03-100600-Z	1
14	door hinge L G36R03	G36R03-110000	1
15	door hinge R G36R03	G36R03-110010	1
16	door strengthen part L G36X03	G36X03-101003	1
17	door strengthen part R G36X03	G36X03-101002	1
18	door round rubber mat	0704133004002	2
19	door seal bar G36R03	G36R03-071200	1
20	front plate component G36R03	G36R03-070100	1
21	door hinge mount G36X03	G36X03-110000-1	2
22	cavity down plate C36X03	C36X03-070703-Z	1
23	oil baffle plate C36X04	C36X04-215100	1
24	bottom plate G36R04	G36R04-071800	1
25	baking rack G36X03	G36X03-071900	2
26	side rack G36X03	G36X03-073800	2
27	Lamp round G36X03	G36X03-180100	2
28	cavity top left side plate G36X04	G36X04-070505	1
29	cavity downside plate G36X03	G36X03-070400	2
30	glass wool for cavity down left upper side G36X03	G36X03-073300	2
31	left outside plate inside E30R03	E30R03-071101	1
32	left outside plate E30R03	E30R03-071000	1
33	cavity top right side plate G36X04	G36X04-070504	1
34	side rack protect cover G36X03	G36X03-073900	4
35	right outside plate inside E30R03	E30R03-071100	1

36	right outside plate E30R03	E30R03-071001	1
37	36" oven bottom heat element C36R05	C36R05-091200	1
38	heat element cushion plate C36X04	C36X04-080600	1
39	cavity bottom heat element ground support C36X04	C36X04-080700	1
40	drawer insulation plate C36X04	C36X04-072100	1
41	back left/right foot fixed part G48R04	G48R04-071811	2
42	front left/right foot fixed part G48R04	G48R04-071813	2
43	leg round fixed screw	BZ-0000000912	4
44	oven leg G36X03	G36X03-071500	4
45	drawer panel fixed screw G36X03	G36X03-130100	2
46	screw for anti-tip step G36X03	G36X03-111000	1
47	anti-tip support G36X01	G36X01-212501	1
48	convection fan cover G20H08	G20H08-091700	1
49	back heat element	C20A01-091602	1
50	cavity back plate E36R03	E36R03-070300	1
51	thermo-sensor fixed part G20A01	G20A01-031100	1
52	corrugated pipe joint E30R03	E30R03-210500	2
53	Joint screw nut E30R03	E30R03-210510	2
54	fan motor baffle plate C36A01	C36A01-073100	1
55	Convection fan G20A01	G20A01-091501	1
56	cavity back insulation plate C36R05	C36R05-072200	1
57	back ventilation part C30R04	C30R04-075600	1
58	bottom fixed plate for baffle plate C36R05	C36R05-072400	1
59	baffle plate	E36R03-072001	1
60	cord terminal E20F01	E20F01-106400	1
61	safety valve big support G36X03	G36X03-076600	1
62	glass wool for cavity back plate G36X03	G36X03-072900	1
63	broil heat element (inside+outside)	C36R05-091000	1
64	heat element cushion plate C36X04	C36X04-080600	1
65	front panel strip G36X03	G36X03-214500	1
66	cavity top plate C36R05	C36R05-070600-Z	1
67	glass wool for cavity bottom plate G36X03	G36X03-036000	2
68	glass wool for cavity structure frame G36X03	G36X03-070800	1
69	cavity insulation plate C36R05	C36R05-074500-Z	1
70	wires E36R03-180300	E36R03-180300	1
71	plastic wire hook G36R03	G36R03-160200	5
72	Wind board E36R03	E36R03-075000	1
73	Left side plate for wind board C36R05	C36R05-075200	1
74	Right side plate for wind board C36R05	C36R05-075100	1
75	Thermo-controller 140°C E24F01	E24F01-076200	1

76	Thermo-controller 50°C C36R05	C36R05-076200	1
77	cooling fan fixed support C36X04	C36X04-075400	2
78	fan heat insulation cover C36X04	C36X04-075300	1
79	cooling fan C36R05	C36R05-200900	1
80	power cord 14#	G20A14-160100	1
81	knob for energy control single ring E20R08	E20R08-030100	5
82	knob ring for main gas valve G36R03	G36R03-030200	7
83	press button G48X03	G48X03-170200	1
84	control panel E36R03	E36R03-030300	1
85	cooktop front pressing plate E30R03	E36R03-023400	2
86	press button cushion part G36R07	G36R07-100800	1
87	switch 5+0 C36R05	C36R05-170800	1
88	thermo-control component switch C36R05	C36R05-030900	1
89	Cooktop switch E24F01	E24F01-031600	5
90	switch support E30R03	E30R03-031200	2
91	Air guiding plate E36R03	E36R03-0324	1
92	red indicator G36X03	G36X03-031000-7	3
93	36" knob C36R03	C36R03-030105	1
94	knob C36R03	C36R03-030101	1
95	backsplash board E36R03	E36R03-011500-Z	1
96	ceramic cooktop component E36R03	E36R03-020000	1
97	Radiant burner 100W E30R03	E30R03-022300	1
98	Radiant burner 1200W E20R08	E20R08-022300	2
99	Radiant burner 3000W E30R03	E30R03-022500	1
100	Radiant burner 2200W E30R03	E30R03-022400	1
101	cooktop front strengthen part E36R03	E36R03-025000	1
102	radiant burner spring E24F08	E24F08-026100	15
103	radiant burner bolt E24R10	E24R10-025100	15
104	front beam E36R03	E36R03-024100	1
105	cooktop back strengthen part E36R03	E36R03-025001	1
106	cooktop side press part E30R03	E36R03-071300	4
107	5/8" corrugated pipe 300mm G20C01	G20C01-215302	1
108	rear beam E36R03	E36R03-024101	1